

HAWKESBURY E2/E3

MULTI-FOLD DOOR

State Of The Art System

Designed with large floor to ceiling applications in mind, the Hawkesbury Multi-Fold Door Range combine full sized commercial perimeter framing with specially designed commercial door stiles. A functional alternative to traditional door units in commercial and residential applications the Hawkesbury E2 and E3 Door Range removes the barriers to allow flow between indoor and outdoor living. Whether the doors are open in fine weather or securely fastened into place as sturdy impenetrable walls, the ALSPEC Hawkesbury Door is the only choice.

Key Features

- Powered by exclusive hardware from Centor Architectural the Hawkesbury Door features top-rolling hardware for smooth, trouble-free operation
- Configured for inward or outward stacking or with an odd or even number of door stiles
- Tyred floor guides run effortlessly in channels neatly concealed beneath closed doors
- Weatherseal technology keeps wind, rain and cold air where it belongs
- The stabilising centre hinge controls door stile deflection and bowing on tall doors, whilst the exclusive Surelock™ system allows for simple vertical height adjustment with a screwdriver
- Satin Stainless Steel hardware
- Commercial sized perimeter framing
- 4mm - 12.4mm single and 28mm double glazed options
- 10 year warranty on hardware

Specifications:

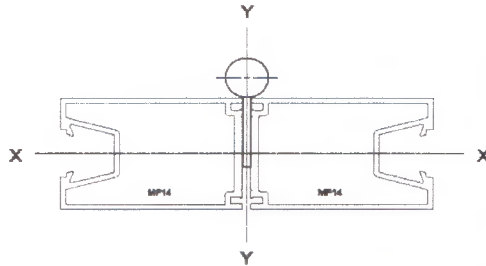
For structural performance refer to the ALSPEC Technical Manual.

Windows and Doors

- WERS Rated
- Designed to meet AS2047



MF14 L/180



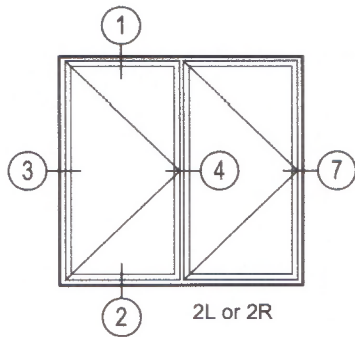
MF14
$I_{xx} = 167 \cdot 10^3 \text{ mm}^4$
$I_{yy} = 352 \cdot 10^3 \text{ mm}^4$
Max Stress = 110 Mpa
S = Serviceability limit state I/180
U = Ultimate limit state

L/180

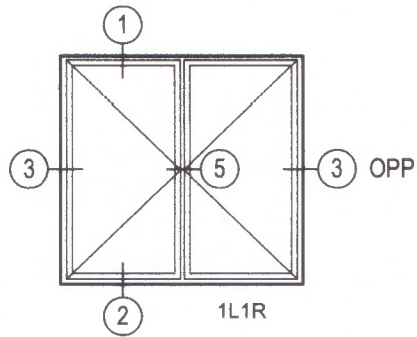
Door Panel Height	Maximum Design Pressure (Pa)						
		500	600	700	800	900	1000
3000	S	740	615				
	U	2800	2335				
2900	S	820	680	585			
	U	2995	2495	2140			
2800	S	910	755	650	565		
	U	3215	2680	2295	2100		
2700	S	1015	845	725	630	560	
	U	3460	2880	2470	2160	1920	
2600	S	1135	945	810	710	630	565
	U	3730	3105	2665	2330	2070	1865
2500	S	1280	1065	905	800	710	640
	U	4035	3360	2880	2520	2240	2015
2400	S	1445	1205	1030	900	800	720
	U	4375	3465	2135	2735	2430	2185
2300	S	1640	1370	1175	1025	910	820
	U	4765	3970	3405	2980	2645	2380
2200	S	1875	1565	1340	1175	1040	935
	U	5210	4340	3730	3255	2895	2605
2100	S	2160	1800	1540	1350	1200	1080
	U	5720	4765	4085	3575	3175	2860
2000	S	2500	2080	1785	1560	1390	1250
	U	6305	5255	4500	3940	3500	3150
Door Panel Crs		500	600	700	800	900	1000
							1100

This table is based on theoretical section properties

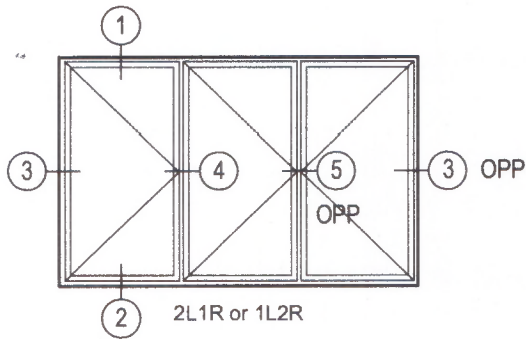
TYPICAL ELEVATIONS



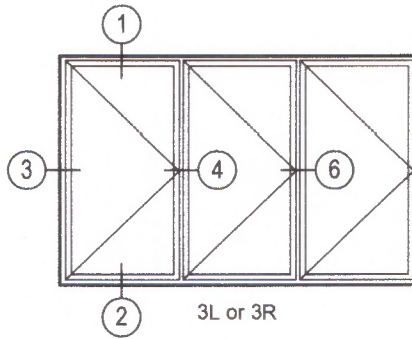
2L or 2R



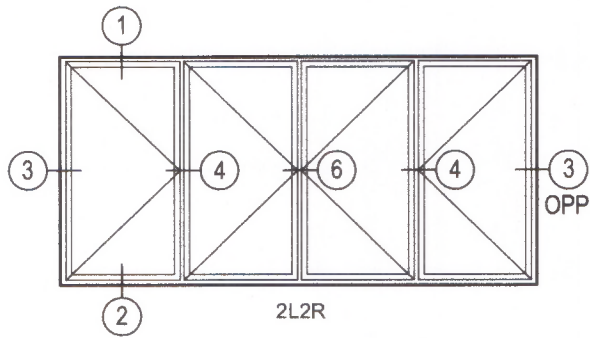
1L1R



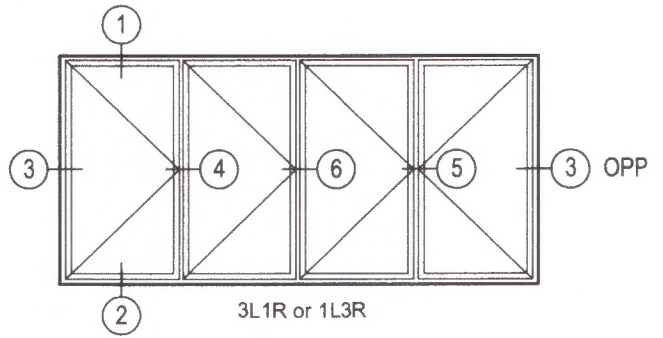
2L1R or 1L2R



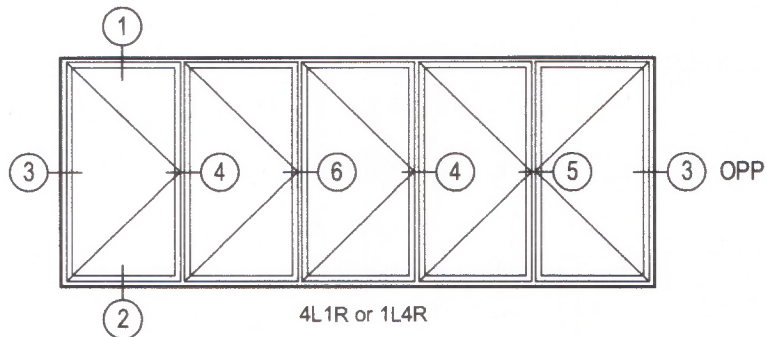
3L or 3R



2L2R

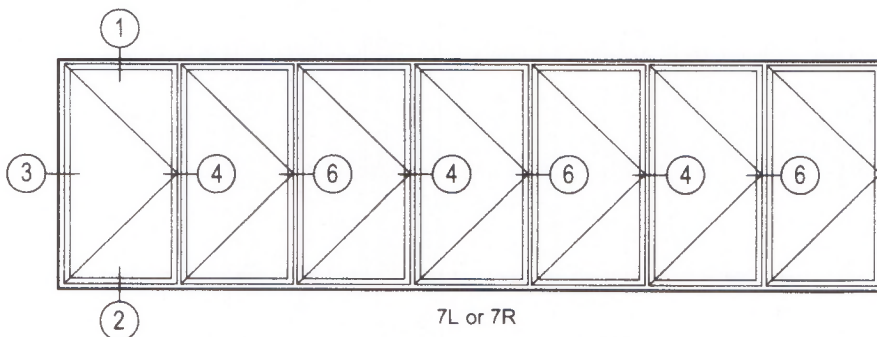
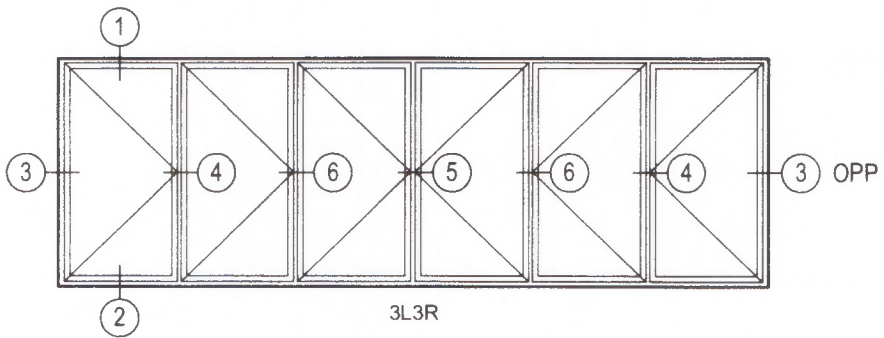
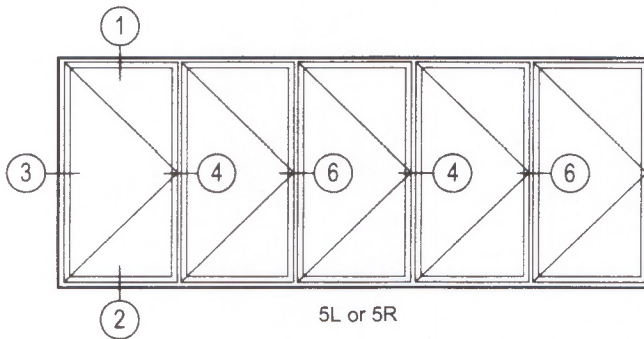
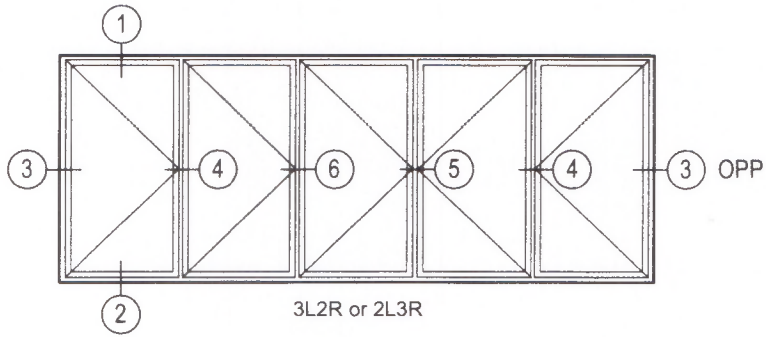


3L1R or 1L3R



4L1R or 1L4R

TYPICAL ELEVATIONS



TYPICAL ELEVATIONS

